



**SIRIUS 1 PLUS**  
**INSTRUCTION MANUAL**

# Instructions

## **MOUNTING THE ROOF TENT ON YOUR VEHICLE WARNING!**

- If you have any back, knee or any other health complications, do NOT attempt to mount the roof tent on your vehicle.
- Your vehicle MUST have a roof rack or cross bars installed in order to mount the roof tent.
- The cross bars MUST have a dynamic weight load of at least 165lbs (75kgs) and MUST be at least 30” (76cm) apart.
- If you are unsure of the mounting process or have any questions, please contact us.

It is easiest to mount the roof tent from the side of your vehicle, not from the front or the back.

1. Have two people stand at the front of the roof tent, and two people at the back.
2. Grab the panel on the bottom of the roof tent and lift up to your waist.
3. Lift the roof tent up to your shoulders, and then above your head.
4. Gently slide the roof tent onto your cross bars.
5. Make sure the roof tent is centered.

## INSTALLING THE MOUNTING BRACKETS

**IMPORTANT:** WHEN MOUNTING THE ROOF TENT ON YOUR VEHICLE, MAKE SURE THAT EACH BRACKET IS SECURELY FASTENED. FAILURE TO DO SO COULD CAUSE DAMAGE, INJURY OR EVEN DEATH

### Accessories and tools:

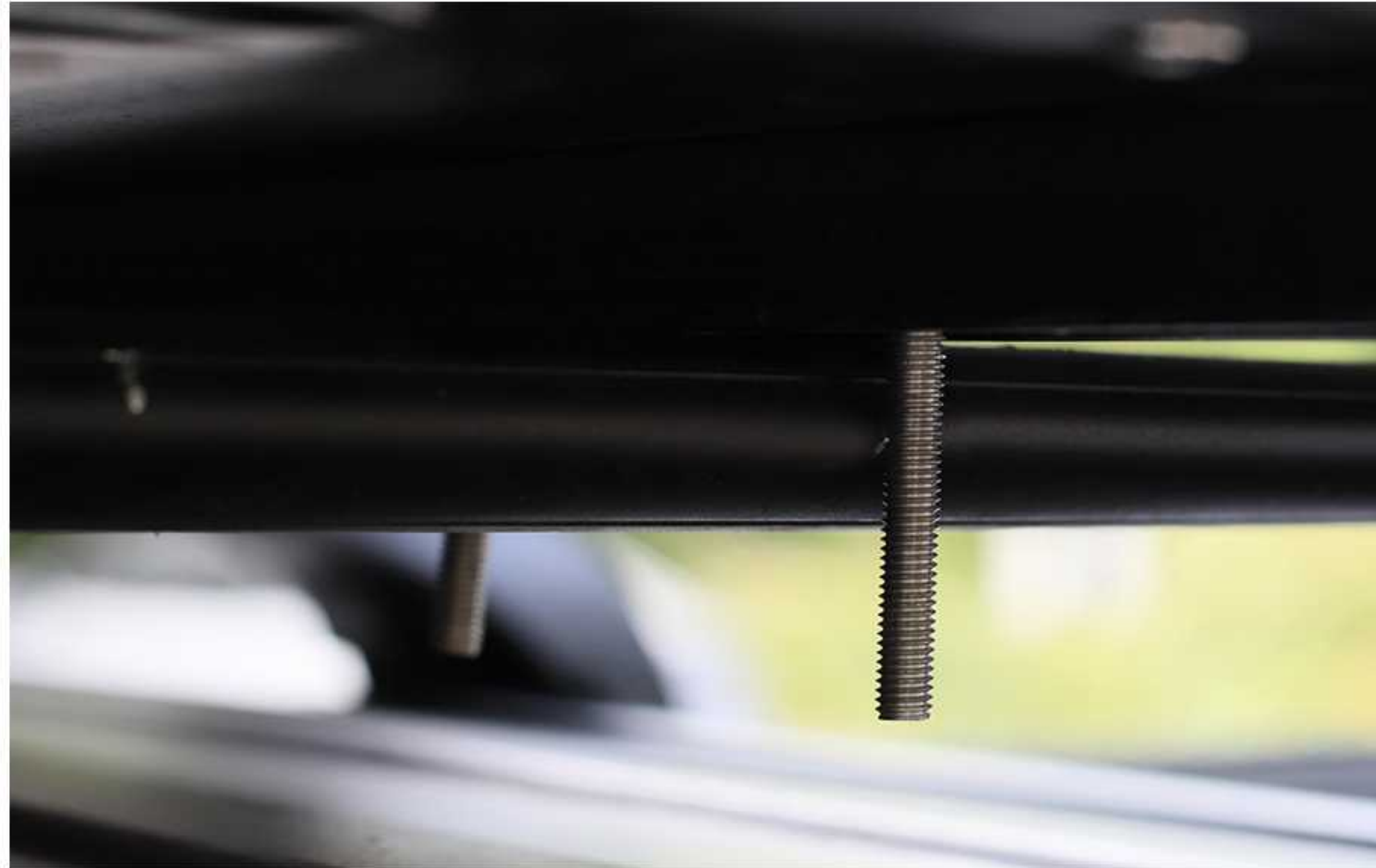


**NOTE:** apply lubricant to the bolts and nuts before tightening to reduce the risk of thread galling.

1. Take the top bracket [B] (with the square holes), and insert two bolts [C] according to the width of your cross bars.
2. Insert top bracket [B] with the two bolts into the rail under the roof tent:



3. Have one person lift the roof tent, while another person slides the piece over the cross bar, so that one bolt is on each side of the cross bar:  
bar:



4. Take the bottom bracket [A] (with the round holes), and fit it under your cross bar so that the bolts go through it.

5. Attach one nut [D] on each bolt [C], and tighten them using a 13mm spanner.

**IMPORTANT: apply lubricant to the bolts and nuts before tightening to prevent thread galling.**

6. Tighten the nuts until the bottom bracket [A] starts to bend lightly. Do NOT keep tightening after it has already started to bend as this will make it difficult to mount again in the future. See image below:



7. Repeat the procedure for the remaining 3 brackets.

**NOTE: check that the roof tent is securely attached after a short distance, and thereafter at regular intervals. Tighten the mounting brackets whenever necessary.**

## LUGGAGE ROD INSTALLATION METHOD

1. Find the three holes drilled for the bolts on each edge of the four corners of the top cover.



2. Find this piece of iron (There are four pieces in total, one corresponding to the three holes on the edge of each corner).



3. Take three bolts [G] and put in the gasket [F] as shown in the picture (the gasket can be waterproof).



4. The bottom of the bolt also needs to be installed with a gasket [F], as shown in the figure below.



5. Use a screwdriver to drill the bolts one by one.



6. Then find the luggage poles (there are two in total).



7. Place the luggage rod horizontally on the iron piece that has just been installed, and then fix it with the nut [D]. (Note: When installing the bolt [G], the gasket should be on top of the nut [D]).



8. Finally, after installing the screws in the corresponding holes of the two cross bars in sequence, the luggage bar is installed.



**NOTE: The maximum load-bearing capacity of the luggage pole is less than 13kg.**

## OPENING THE HARD SHELL

1. Unlock the latches on the sides of the tent flap (or untie the straps) and pull down on the metal shell to release the straps.



2. Push up the tent cover with your hands. The gas strut will allow it to open on its own.



3. Once the top has fully opened, reach up and grab the base of the ladder.



4. Pull the ladder towards you, allowing it to extend completely.

**(NOTE: when you first use the roof tent, you will first need to undo the velcro strap on the ladder)**



5. Push down on the ladder, as it acts as a lever and lowers the extension floor.



6. After the extension floor has been lowered, securely install the ladder.

## INSTALLING THE LADDER

**CAUTION:** FAILURE TO PROPERLY SECURE THE LADDER COULD CAUSE DAMAGE AND SERIOUS INJURY. CAREFULLY READ THE INSTRUCTIONS BELOW BEFORE ATTEMPTING TO USE THE LADDER.

The ladder acts as the support for the Skycamp's extension panel.

Always make sure the ladder is firmly planted in the ground, and each step is securely **locked** before going up the ladder.

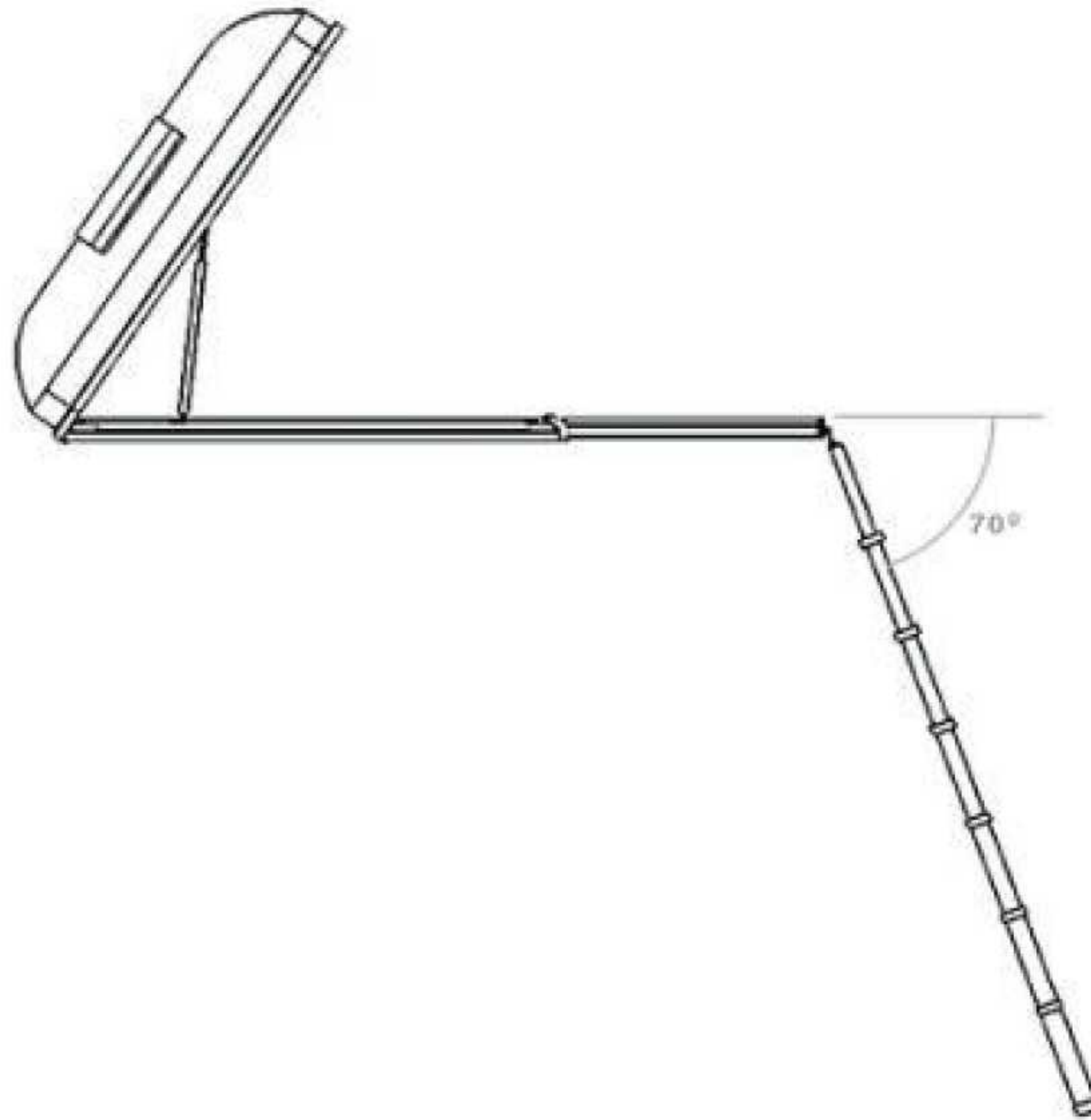
- Make sure the base of the ladder is placed on even, solid ground:



- Move your vehicle to another spot. Do NOT install the ladder on uneven ground, or on rocks, sand, or mud.

- Place the ladder at an approximate  $70^\circ$  angle as pictured below, and make sure it is firmly planted in the ground.

The ladder should be able to offer support to the extension panel and the tent's occupants. The main panel (floor) and extension panel should be horizontal, with a small space between the two panels (the extension panel should be lifted up slightly higher than the main panel)



- **CORRECT** installation:



- **INCORRECT** installations:



The ladder should NOT be over-extended as it does not offer enough support, and is should not be too vertical either.

After the ladder has been securely installed, please follow the directions below while going up and down the ladder:

- Grab the sides of the ladder with both hands at all times.
- Take one step at a time.
- NEVER step on the top 2 steps when going up or down the ladder.

## CLOSING THE HARD SHELL

1. Retract the ladder, starting with the top steps. Make sure to press the release buttons with your thumbs and be careful not to get any fingers caught between steps.



2. Using the ladder, push the extension panel up and then into the roof tent:



3. Reach into the roof tent to grab the black nylon strap attached to the top of the shell. Pull down on the strap to close the hard shell:



4. Tuck the excess material into the roof tent on the front, back and side:



5. Pull down on the hard shell, and securely fasten the locks (or straps). Make sure the strap is tight by adjusting (twisting) the bottom U-shaped piece.



**NOTE:**

- The fastening straps keep your roof tent closed and make sure it does not open when driving. ALWAYS make sure that the hard shell is completely closed and the straps are securely fastened before driving.
- If you find it difficult to completely close the roof tent, it maybe due to excess bedding left inside the tent. In this case, remove some of the bedding and try again.
- Speed Limit: the recommended speed limit when having the roof tent on your vehicle is 70 mph (110km/h). Driving speed should always be adjusted according to the current driving conditions,
- such as road type and quality, weather (wind conditions, rain), and applicable speed limits. Drive slowly on speed bumps and bumpy roads.

Product images in this manual are for illustrative purposes only and may differ from the actual product.

## INSTALLATION OF 12V ACCESSORY PACK:

Installation of 12v accessory pack:

1. 12v accessory pack is pre installed in tent.
2. Andersen plug is located on base of the tent.
3. Plug to be connected to power source only by an auto electrician.
4. Ensure all connections are fused at power source.
5. Ensure cable protection is used.



## INTERNAL STRIP LIGHT:

1. Plug in once for dim light into either power bank or internal power source
2. Plug in twice for brighter light.

## INTERNAL STRIP LIGHT:

1. Plug in once for dim light into either power bank or internal power source
2. Plug in twice for brighter light.

